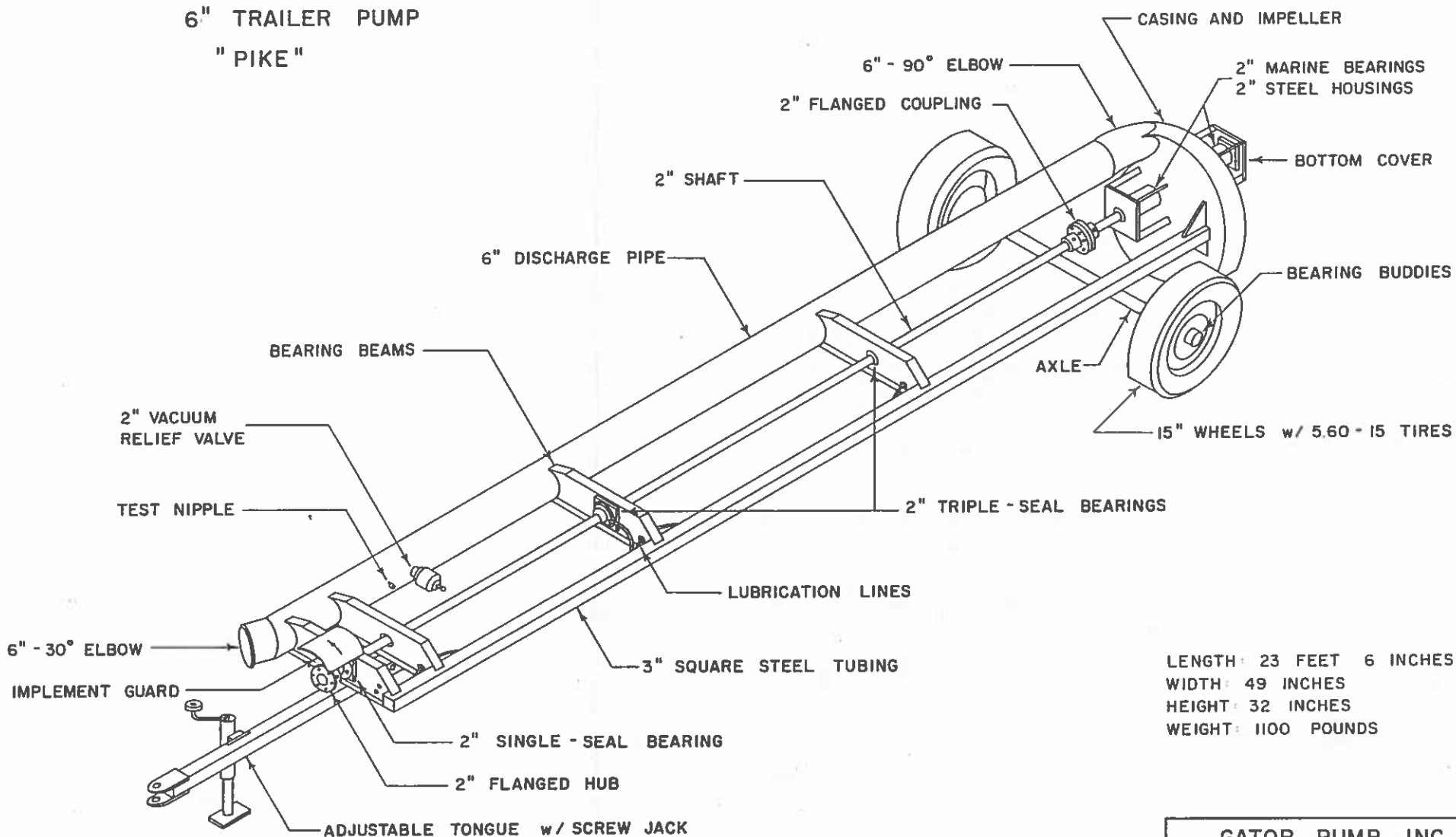


6" TRAILER PUMP  
"PIKE"



LENGTH: 23 FEET 6 INCHES  
 WIDTH: 49 INCHES  
 HEIGHT: 32 INCHES  
 WEIGHT: 1100 POUNDS

GATOR PUMP, INC.		
SCALE	NTS	DRAWN BY FEG
6" TRAILER PUMP, "PIKE"		
DATE 10-26-84	APPROVED BY <i>Dave D... ..</i>	DRAWING NUMBER 6T-C

# GATOR PUMP, INC

